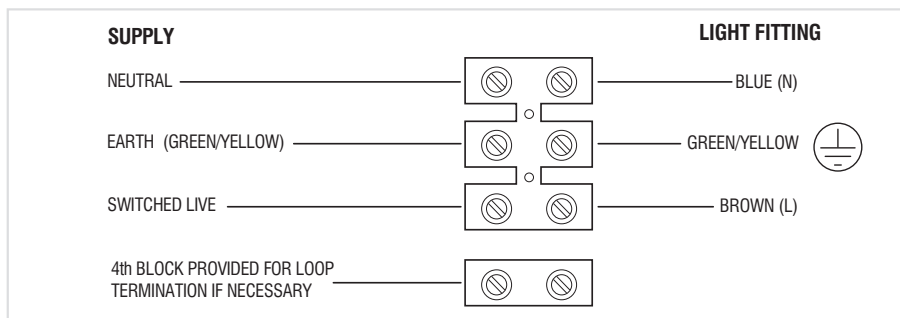


## Wiring

Having correctly identified the wiring from your existing light fitting, pull the wire through the hole and connect to the connection block inside the product in the following way:



## Check that .....

- You have correctly identified the wires.
- The connections are tight.
- No loose strands have been left out of the connection block.
- When completed, ensure that there are no bare or loose strands of wire exposed, and cover all exposed areas of the connection block with 2 layers of insulation tape.

## Technical data

Supply Voltage: 240 V~, 50 Hz

Bulb Type: 78978: 40W LED SMD, 4000K 92520: 25W LED SMD, 4000K  
92521: 3W LED SMD, 4000K 92522: 3W LED SMD, 4000K 92523: 3W LED SMD, 4000K

The light source of this luminaire is not replaceable; when the light source reaches its end of life the whole luminaire shall be replaced.



Conformity with all relevant EC Directive requirements.



This light fitting is Class 1 product, must be connected to Earth.



Waste electrical products should not be disposed of with household waste. Please recycle where facilities exist. Check with your Local Authority or local store for recycling advice.



This product is not suitable for dimming.



This product is rated at IP20.

## Care and Safety

We recommend cleaning with a soft dry cloth. Do not use solvents or abrasive cleaners as these could damage the finish.

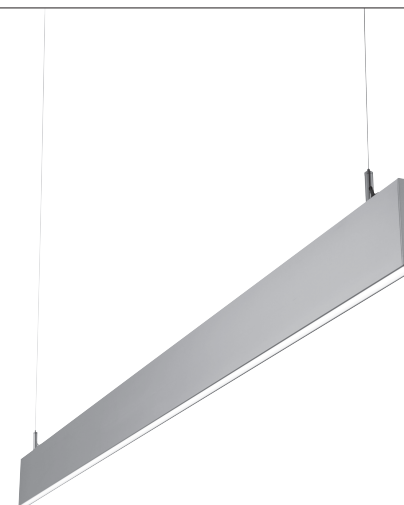
For your safety, always switch off the power supply before cleaning.

Always disconnect the product from mains at least 10 minutes allowing to cool down before any maintenance or adjustment.

Instruction manual

# Kingsley

78978, 92520



Thank you for purchasing this light fitting. Please read the instructions carefully before use to ensure safe and satisfactory operation of this product. Please retain these instructions for future reference.

## Warning

 This light fitting is Class 1 product, must be connected to Earth.

Please read these instructions carefully before commencing any work.

This unit must be fitted by a competent and qualified electrician.

Install in accordance with the IEE Wiring regulations and current Building Regulations.

Check the pack and make sure you have all the parts listed. Please inform your retailer in case of any part shortage.

To prevent electrocution switch off at the mains supply before installing or maintaining this fitting. Ensure other persons cannot restore the electrical supply without your knowledge.

If replacing an existing fitting, make a careful note of the connections.

This light fitting should be connected to a fused circuit.

We recommend that you use H05RN-F specification cable (not supplied) which is an outdoor grade, rubber sheathed cable.

The mains supply cable must have a minimum cross section area of 1.0mm<sup>2</sup>.

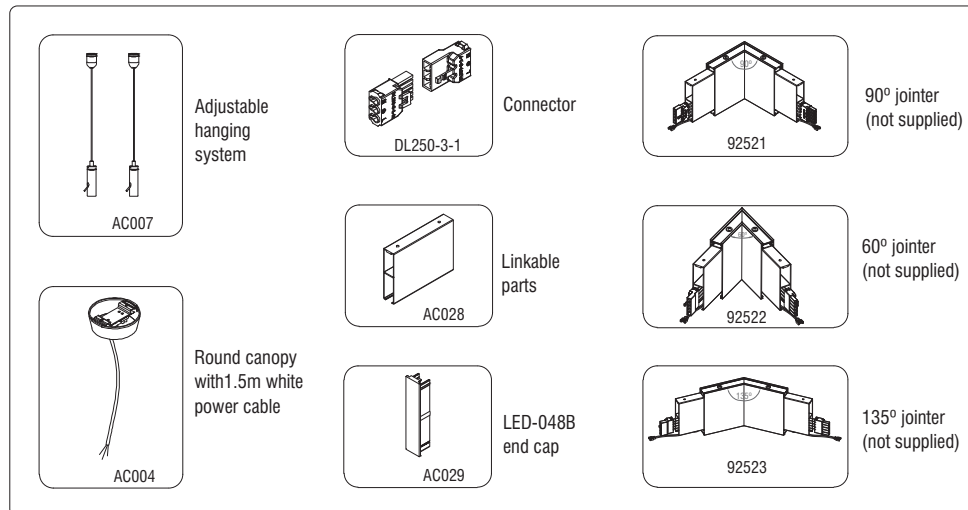
Cables must be protected using suitable conduit or plastic trunking.

Never put anything on the product or hang anything on any part of this product.

Never use the terminal cables to bear the product weight.

Waste electrical products should not be disposed of with household waste. Please recycle where facilities exist. Check with your local authority or retailer for recycling advice.

## Accessories



## Installation

Existing fittings must be completely removed before installation of a new product. Before removing the existing fitting, carefully note the position of each set of wires.

- Note that the power needs to be isolated/switched off at the fuse board.
- Ensure the ceiling is capable of holding the weight of the track and products. Take care to avoid damaging any concealed wiring and pipes. The correct fixings should be used for brick, cavity walls or plasterboard.
- There are the **A/B/C** installation options to choose from below installation diagram accordingly.
  - For A type, installation details refer to fig **A SUSPENDED**.
  - For B type, installation details should be based on completed "A SUSPENDED" installation, then installed refer to fig **B STRAIGHT LINK**. Max. connect power is 400W.
  - For C type, installation details should be based on completed "A suspended" installation and part 1 to 6 of "B STRAIGHT LINK" installation, then installed refer to fig **C CORNER LINK**. There are 3 kind of the angle for installation. Purchase the corner jointer accessories accordingly after you decided the installation angle. (92521 for 90° corner link, 92522 for 60° corner link, 92523 for 135° corner link)
- Ensure that the product is fixed secure. Replace fuse or circuit breaker and switch on. Your light is now ready for use.

### Installation options

